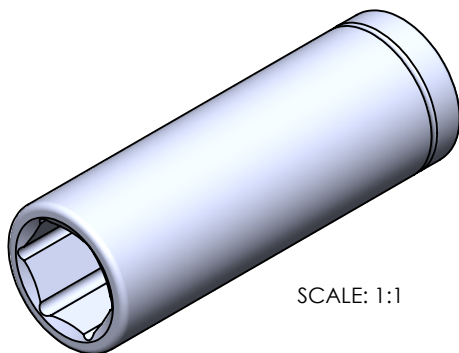
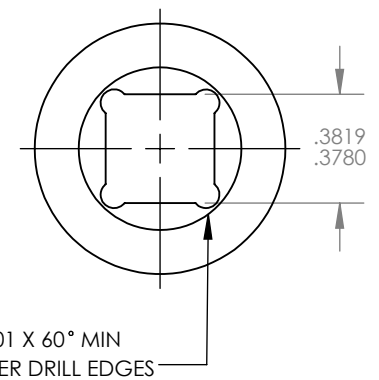
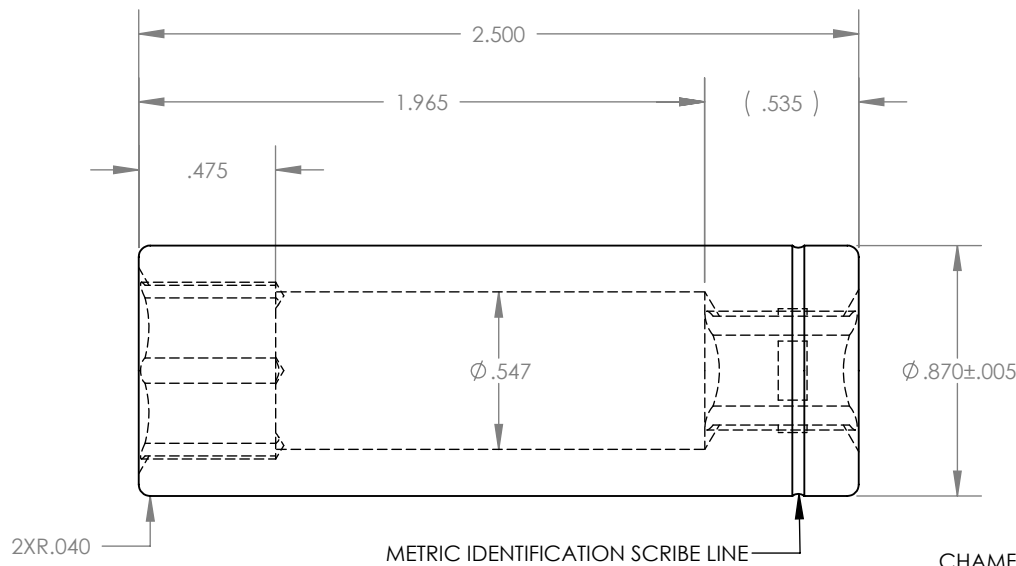
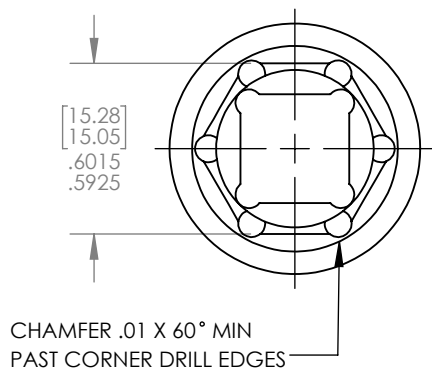


SCALE: 1:1



SCALE: 1:1

UNLESS OTHERWISE SPECIFIED: DIMENSIONS ARE IN INCHES			TOLERANCES: X.XX= ±0.13 X.XXX= ±0.015 X.XXXX= -0.0015
DRAWN	NAME	SIGN	DATE
APPVD	A.T.		06.25.19

STERITool™
The Global Source for Stainless Steel Tools

MATERIAL: 17-4 MAGNETIC S.S.

THIS DRAWING IS THE PROPERTY OF STERITool, INC. ANY REPRODUCTIONS OR MODIFICATIONS OF THIS DRAWING OR ITS CONTENTS WITHOUT THE CONSENT OF STERITool, INC. IS PROHIBITED.

TITLE: 15.0MM X 3/8" DRIVE DEEP SOCKET

PART NO. 10628

SCALE: 1.5:1

SHEET 1 OF 1

REV: B